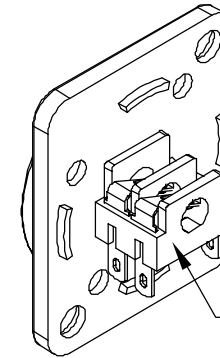
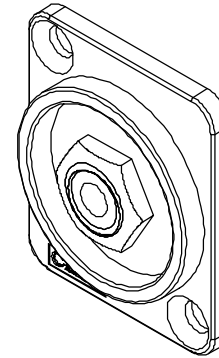
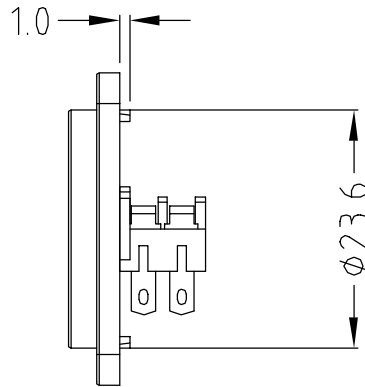
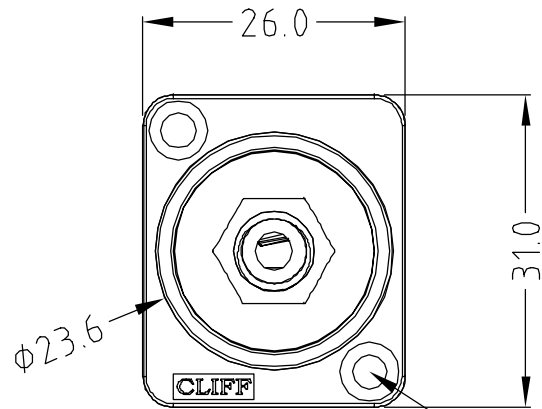


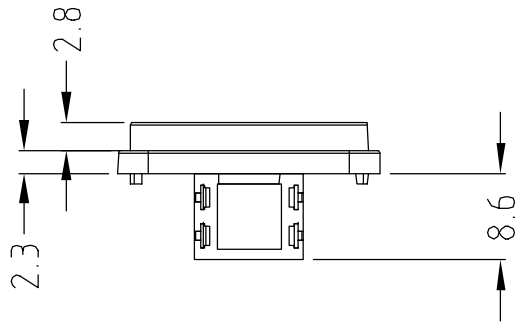
ISS.	AMEND	DATE
1	ISSUED	21/11/17



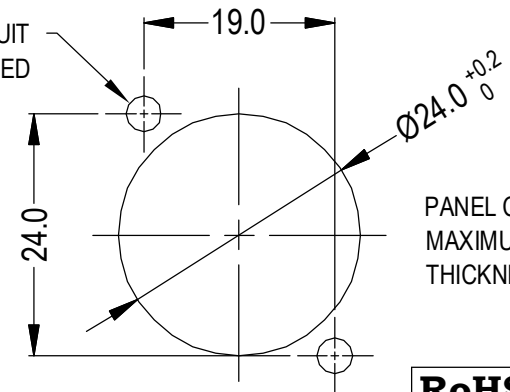
CL1382
S6 ST

SUPPLIED ASSEMBLED, 50x PER TRAY

CP30300SA4
Ø3.50 WITH COUNTERSINK

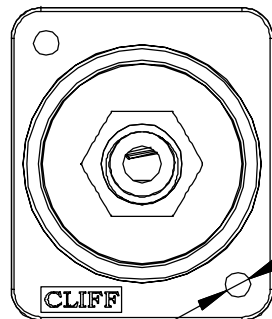


HOLES TO SUIT
SCREWS USED

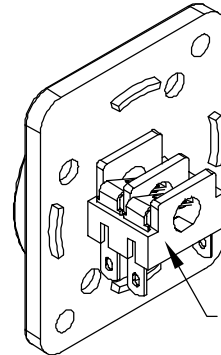
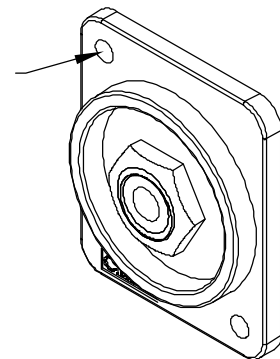


PANEL CUTOUT
MAXIMUM PANEL
THICKNESS 3mm

CP303075X - Ø2.50 PLAIN HOLE VERSION



CP30300SA4X
Ø2.50 PLAIN HOLE



CL1382
S6 ST

RoHS
COMPLIANT

TOLERANCE

- NO DEC. PLACE ±
- 1 DEC. PLACE ±
- 2 DEC. PLACE ±
- HOLE Ø ±
- ANGLES ±
- UNLESS OTHERWISE STATED

DO NOT SCALE

Cliff Electronic Components Ltd.

76 Holmethorpe Avenue, Holmethorpe Industrial Estate,
Redhill, Surrey, RH1 2PF, England, UK
Tel: 01737-771375 Fax: 01737-766012 Website: www.cliffuk.co.uk

THE CONTENTS OF THIS DOCUMENT MUST NOT BE COPIED OR DISCLOSED TO A 3rd PARTY WITHOUT WRITTEN PERMISSION OF CLIFF UK. © 2017

DIMENSIONS IN MILLIMETERS UNLESS OTHERWISE STATED. WORK TO DIMENSIONS. REMOVE ALL BURRS. IF IN DOUBT ASK.

3rd ANGLE PROJECTION:

MATERIAL: COMPOSITE

FINISH: CLEAN - BLACK

DRAWN: T.J.O.

APPROVED: D.P.J.

TITLE: XRP3 S6 (CSK + PLAIN HOLE)

DRWG. No. CP303075

FORM: A4DRWGH