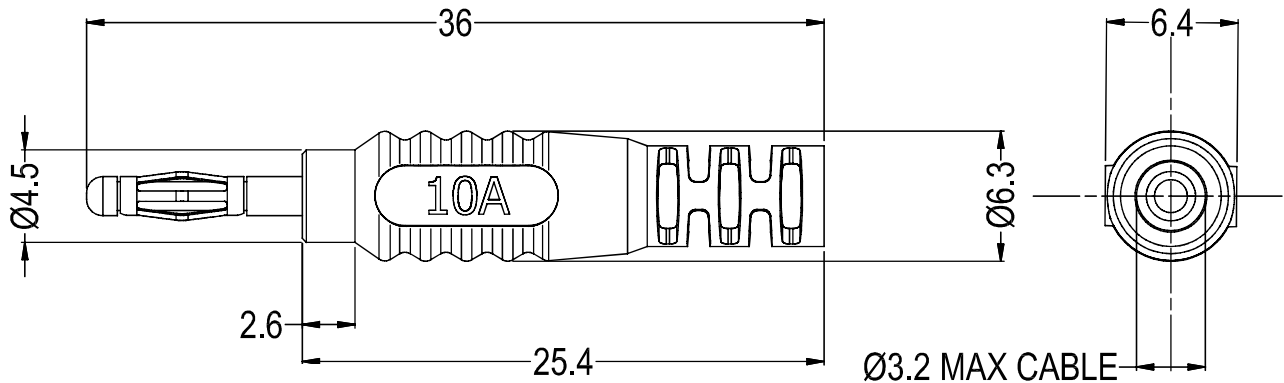


CLIFF

2mm PLUG P18



Rated 30V AC, 60V DC, 10A maximum.



FCR7365B - P18 2mm PLUG
UNSHROUDED BLACK



FCR7365G - P18 2mm PLUG
UNSHROUDED GREEN



FCR7365R - P18 2mm PLUG
UNSHROUDED RED



FCR7365L - P18 2mm PLUG
UNSHROUDED BLUE



FCR7365Y - P18 2mm PLUG
UNSHROUDED YELLOW

MATERIAL

SLEEVE: PP UL94-HB

CONTACT: BRASS, GOLD FLASH

CAGE: BeCu, GOLD FLASH

NOTES:-

1. SPRING CAGE + CONTACT SUPPLIED ASSEMBLED.
2. CAGE ASSEMBLY + SLEEVES SUPPLIED UNASSEMBLED.
3. ASSEMBLY METHOD:
 - (a) FIT SLEEVE ONTO CABLE.
 - (b) SOLDER CABLE ONTO CONTACT.
 - (c) PUSH SLEEVE OVER CONTACT.