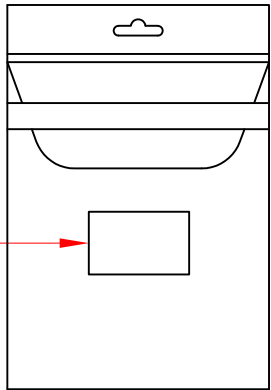
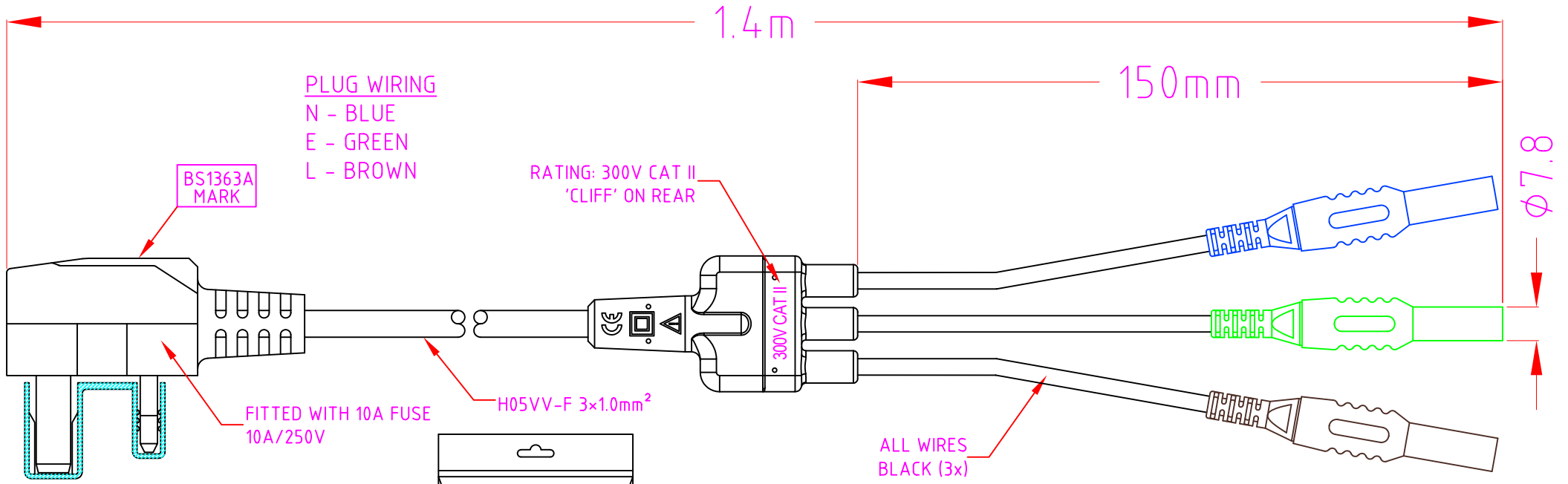


ISS.	AMEND	DATE
1	ISSUED	26/02/14
2	LENGTH WAS 1.5m	02/03/16



WHEN ORDERING USE CLIFF PART NUMBER: CIH29930

RoHS COMPLIANT
TOLERANCE
NO DEC. PLACE ±
1 DEC. PLACE ±
2 DEC. PLACE ±
HOLE Ø ±
ANGLES ±
UNLESS OTHERWISE STATED
DO NOT SCALE

Cliff Electronic Components Ltd.
76 Holmethorpe Avenue, Holmethorpe Industrial Estate,
Redhill, Surrey, RH1 2PF, England, UK
Tel: 01737-771375 Fax: 01737-766012 Website: www.cliffuk.co.uk

DIMENSIONS IN MILLIMETERS UNLESS OTHERWISE STATED. WORK TO DIMENSIONS. REMOVE ALL BURRS. IF IN DOUBT ASK.

3rd ANGLE PROJECTION:

MATERIAL: COMPOSITE
FINISH: CLEAN - BLUE / GREEN / BROWN

TITLE: CLIFF UK MAINS - 3x4mm BLUE/GREEN/BROWN

THE CONTENTS OF THIS DOCUMENT MUST NOT BE COPIED OR DISCLOSED TO A 3rd PARTY WITHOUT WRITTEN PERMISSION OF CLIFF UK. © 2014

DRAWN: T.J.O.

APPROVED: D.P.J.

DRWG. No. CIH29930DST

FORM: A4DRWGH