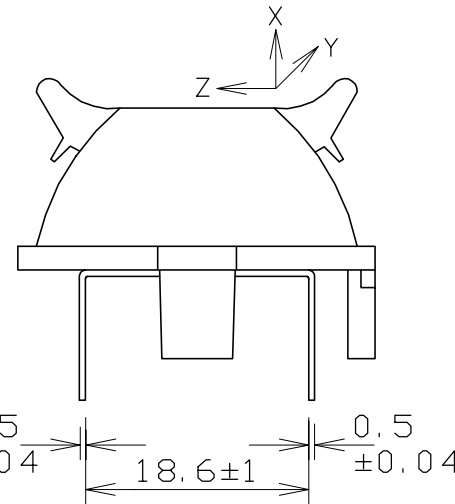
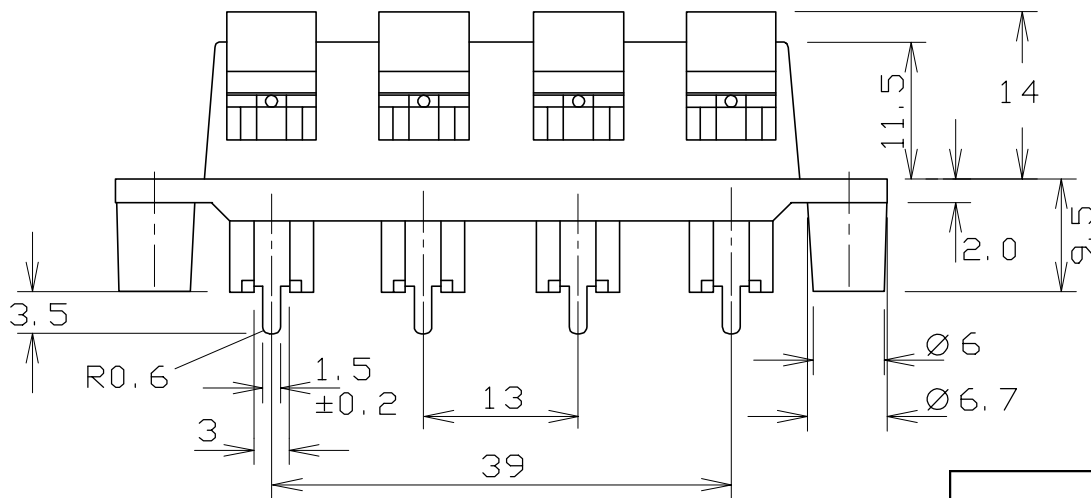


RATING: 7A @60V AC
CONTACT RESISTANCE: <20mΩ @1A 25°C
INSULATION RESISTANCE: >100MΩ @500V DC
DIELECTRIC WITHSTANDING VOLTAGE: 1 minute @1200V AC
OPERATING FORCE 800 ±100gm
WIRE RETENTION (22AWG) 1Kg-X / 500g-Y / 1Kg-Z

ISS.	AMEND	DATE
1	ISSUED	24/03/94
2	WAS 1st ANGLE-UPDATE	10/01/13



PART No	TERMINAL COLOURS							
	1	2	3	4	5	6	7	8
FE6930	RED	BLACK	BLACK	RED	RED	BLACK	BLACK	RED

RoHS COMPLIANT

TOLERANCE
 NO DEC. PLACE ±
 1 DEC. PLACE ±
 2 DEC. PLACE ±
 HOLE Ø ±
 ANGLES ±
 UNLESS OTHERWISE STATED

Cliff Electronic Components Ltd.

76 Holmethorpe Avenue, Holmethorpe Industrial Estate,
Redhill, Surrey, RH1 2PF, England, UK
Tel: 01737-771375 Fax: 01737-766012 Website: www.cliffuk.co.uk

THE CONTENTS OF THIS DOCUMENT MUST NOT BE COPIED OR DISCLOSED TO A 3rd PARTY WITHOUT WRITTEN PERMISSION OF CLIFF UK. © 1994

DIMENSIONS IN MILLIMETERS UNLESS OTHERWISE STATED. WORK TO DIMENSIONS. REMOVE ALL BURRS. IF IN DOUBT ASK.

3rd ANGLE PROJECTION:

DO NOT SCALE

MATERIAL: ABS UL-94 HB / BRASS CZ108 / SPRING STEEL

TITLE: PUSH TERMINAL (8 WAY)

FINISH: AS MOULDED / NICKEL PLATED

DRAWN: T.J.O.

APPROVED: D.P.J.

DRWG. No. FE6930

FORM: A4DRWGH