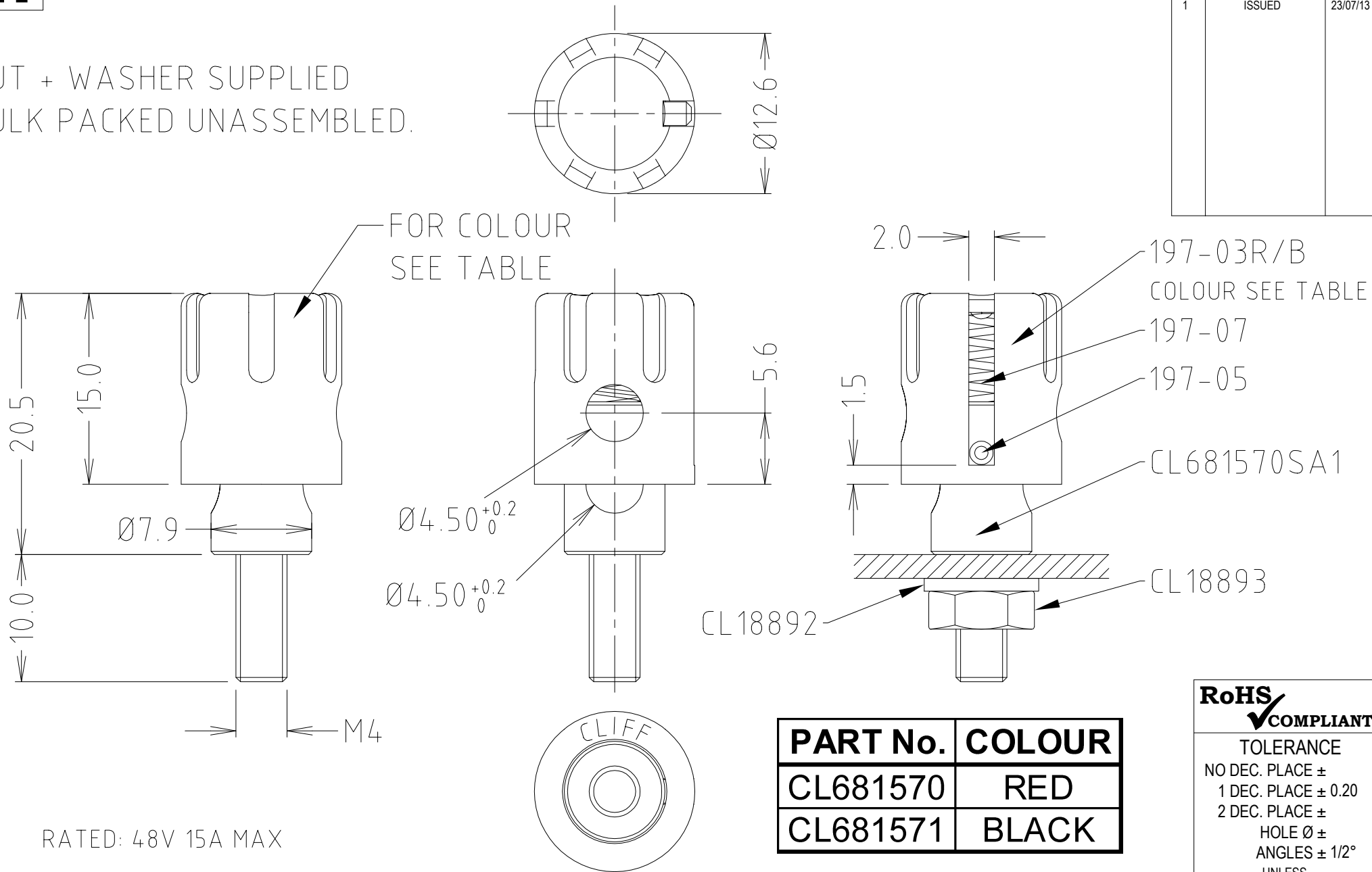


ISS.	AMEND	DATE
1	ISSUED	23/07/13

NUT + WASHER SUPPLIED  
BULK PACKED UNASSEMBLED.



RATED: 48V 15A MAX

PART No.	COLOUR
CL681570	RED
CL681571	BLACK

**RoHS**  
COMPLIANT

TOLERANCE  
NO DEC. PLACE ±  
1 DEC. PLACE ± 0.20  
2 DEC. PLACE ±  
HOLE Ø ±  
ANGLES ± 1/2°  
UNLESS OTHERWISE STATED

DO NOT SCALE

<b>Cliff Electronic Components Ltd.</b> 76 Holmethorpe Avenue, Holmethorpe Industrial Estate, Redhill, Surrey, RH1 2PF, England, UK Tel: 01737-771375 Fax: 01737-766012 Website: www.cliffuk.co.uk	DIMENSIONS IN MILLIMETERS UNLESS OTHERWISE STATED. WORK TO DIMENSIONS. REMOVE ALL BURRS. IF IN DOUBT ASK.		3rd ANGLE PROJECTION:	
	MATERIAL: ABS / BRASS		TITLE: M4S SPT2 SPRING TERMINAL ASSEMBLY	
FINISH: SPARK FINISH 27VDI / NICKEL PLATED		DRWG. No. <b>CL681570</b>		
DRAWN: T.J.O.		APPROVED: D.P.J.		
THE CONTENTS OF THIS DOCUMENT MUST NOT BE COPIED OR DISCLOSED TO A 3rd PARTY WITHOUT WRITTEN PERMISSION OF CLIFF UK. © 2013		FORM: A4DRWGH		