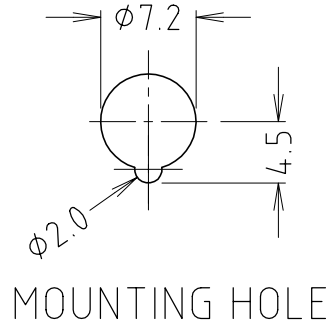
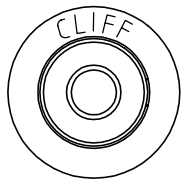
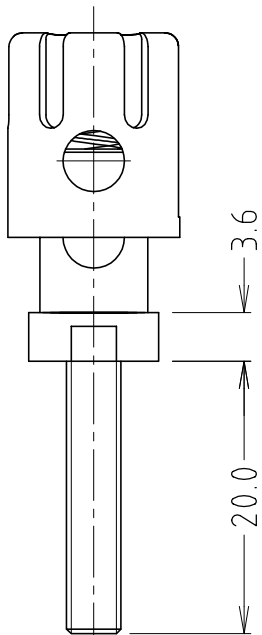
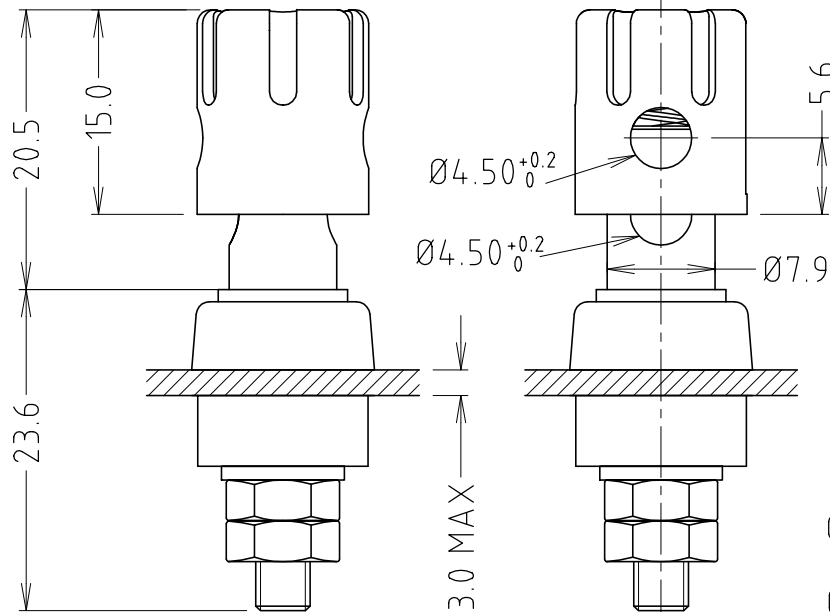
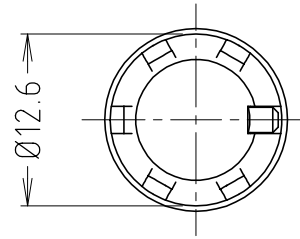


SHOWN WITHOUT INSULATORS



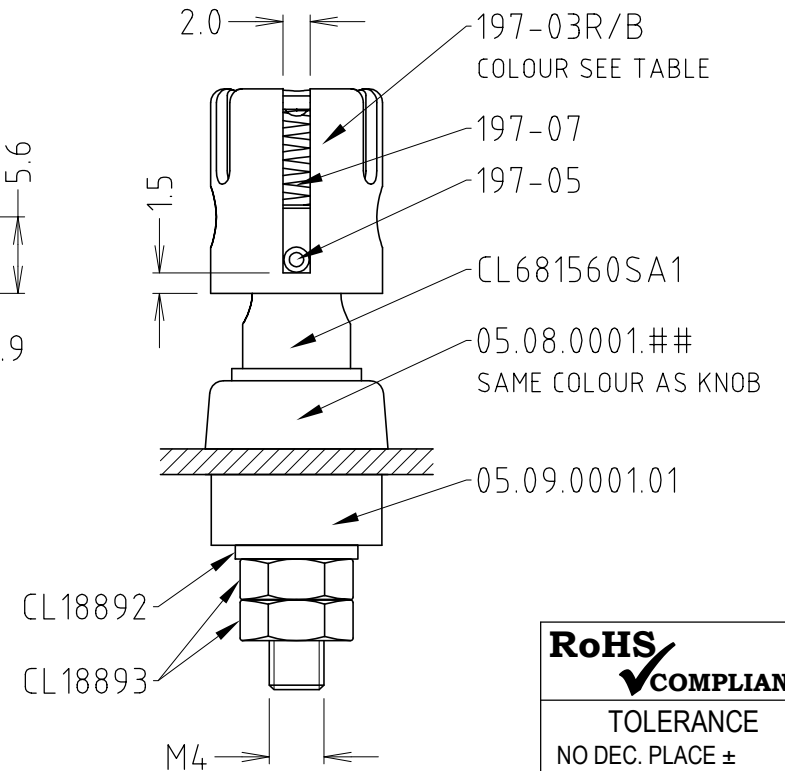
MOUNTING HOLE



NUTS, WASHER, TOP INSULATOR, BOTTOM INSULATOR ALL SUPPLIED BULK PACKED - UNASSEMBLED.

PART No.	KNOB
CL681560	RED
CL681561	BLACK
CL681562	BLUE
CL681563	GREEN
CL681564	WHITE
CL681565	YELLOW

ISS.	AMEND	DATE
1	ISSUED	23/07/13
2	4x COLOURS ADDED	22/02/19



RATED: 48V 15A MAX

RoHS
COMPLIANT

TOLERANCE
NO DEC. PLACE ±
1 DEC. PLACE ± 0.20
2 DEC. PLACE ±
HOLE Ø ±
ANGLES ± 1/2°
UNLESS
OTHERWISE STATED

DO NOT SCALE

Cliff Electronic Components Ltd.

76 Holmehorpe Avenue, Holmehorpe Industrial Estate,
Redhill, Surrey, RH1 2PF, England, UK
Tel: 01737-771375 Fax: 01737-766012 Website: www.cliffuk.co.uk

THE CONTENTS OF THIS DOCUMENT MUST NOT BE COPIED OR DISCLOSED TO A 3rd PARTY WITHOUT WRITTEN PERMISSION OF CLIFF UK. © 2013

DIMENSIONS IN MILLIMETERS UNLESS OTHERWISE STATED. WORK TO DIMENSIONS. REMOVE ALL BURRS. IF IN DOUBT ASK.

3rd ANGLE PROJECTION:

MATERIAL: ABS / BRASS

TITLE: SPRING TERMINAL M4L SPT3 - UNASSEMBLED

FINISH: SPARK FINISH 27VDI / NICKEL PLATED

DRAWN: T.J.O.

APPROVED: D.P.J.

DRWG. No. **CL681560**

FORM: A4DRWGH