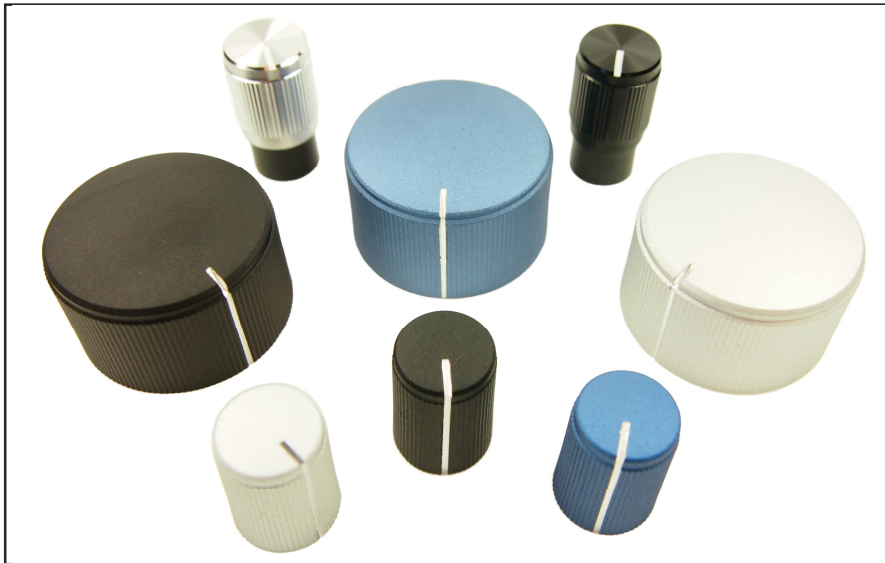
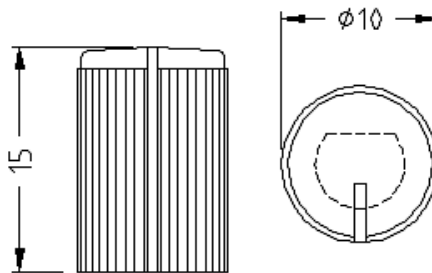
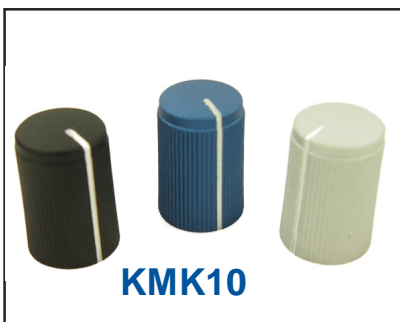


CLIFF

KNURLED ALUMINIUM SHELL KNOBS

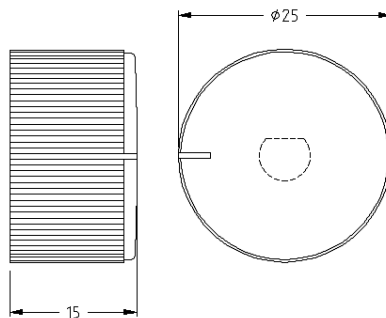


Knobs for professional equipment - comprising machined aluminium shell on moulded plastic inner. Push on fixing. Max shaft depth 11mm.



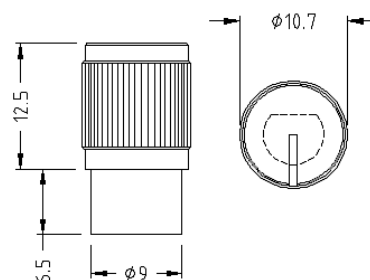
KMK10

6mm Splined shaft
FC7248 - Silver Anodised
FC7249 - Black Anodised
 6mm USA 'D' shaft
FC7251 - Black Anodised



KMK25

6mm Splined shaft
FC7252 - Silver Anodised
FC7253 - Black Anodised



KMK10E

6mm Splined shaft
FC7257 - Black Anodised
 6mm USA 'D' shaft
FC7259 - Black Anodised

Other anodised colours available, subject to quantity.