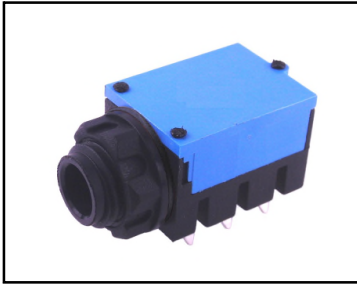


# CLIFF

## SEALED 1/4" MINI JACK MODEL S1K



Many types of professional music equipment nowadays use high power components, and need to be cooled by fans. Fans draw in dust and pollutants which can adversely affect the contacts of conventional jacks, with exposed contacts.

S1K avoids possibility of contamination of contacts by means of a sealing cover over the top and bottom of the jack. The height profile and PCB fitting are the same as our standard S1 jacks.

S1K is available with switched mono /BNB or stereo /BBB configurations and types of front bush. Other contact configurations can be made subject to quantity. Plastic nut is standard.

### MODELS

**S1KA** Standard fully threaded for plastic or metal nut.

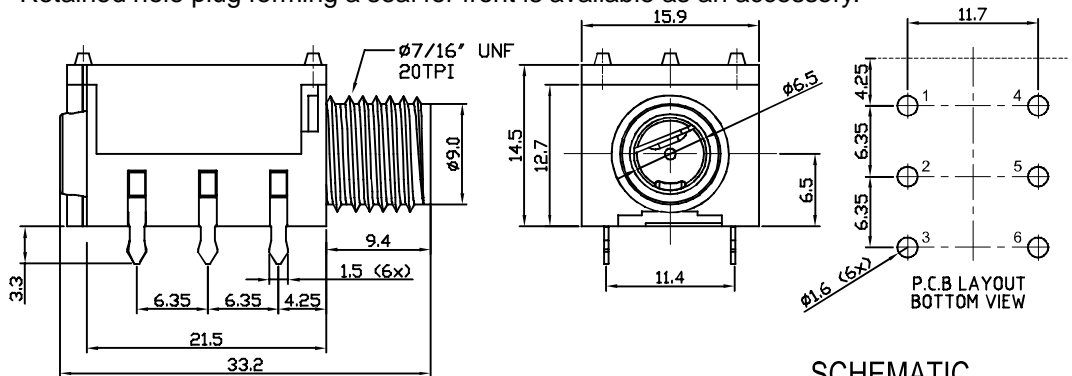
**S1KB** SPN - Partially reduced nose. Nuts not usually used, but are supplied.

**S1KC** Full thread with discrete bright insert and isolated RFI washer

**S1KD** Full thread with prominent bright insert. RFI washer connected to inserted jack plug.

**S1KE** Non thread bush. Nuts not used.

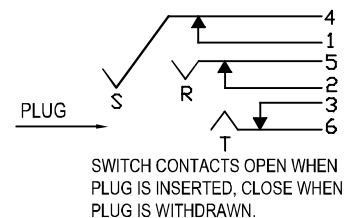
Retained hole plug forming a seal for front is available as an accessory.



### PART Nos.

- |         |                                 |
|---------|---------------------------------|
| FC67810 | S1KA/BBB/WNW SEALED JACK STD    |
| FC67815 | S1KA/BNB/WNW SEALED JACK STD    |
| FC67820 | S1KB/BBB/WNW/SPN SEALED JACK    |
| FC67825 | S1KB/BNB/WNW/SPN SEALED JACK    |
| FC67830 | S1KC/BBB/NI/WNW/IEW SEALED JACK |
| FC67835 | S1KC/BNB/NI/WNW/IEW SEALED JACK |
| FC67840 | S1KD/BBB/NI/WNW/CEW SEALED JACK |
| FC67845 | S1KD/BNB/NI/WNW/CEW SEALED JACK |
| FC67850 | S1KE/BBB/NNW SEALED JACK PLAIN  |
| FC67855 | S1KE/BNB/NNW SEALED JACK PLAIN  |
| FC67858 | S1K FRONT SEAL                  |

### SCHEMATIC



IEW = isolated earth washer  
CEW = connected earth washer

### SPECIFICATION

- |                             |                           |
|-----------------------------|---------------------------|
| Withstand Voltage:          | 2000VDC Min.              |
| Maximum Current:            | 5A.                       |
| Temperature Rating:         | -10°C ~ +70°C             |
| Life >10000 operations:     | Contact resistance <100mΩ |
| Initial Contact Resistance: | <50mΩ                     |
| IP Rating (with plug in):   | IP50                      |



Black socket showing hole seal.

Order as: S1K[ ] / BNB - Mono  
BBB - Stereo  
Type

RoHS / REACH compliant  
All models, except type E, supplied with plastic nut and washer  
100 / Tray / 1000 / Carton

For further information, contact [sales@cliffuk.co.uk](mailto:sales@cliffuk.co.uk)

