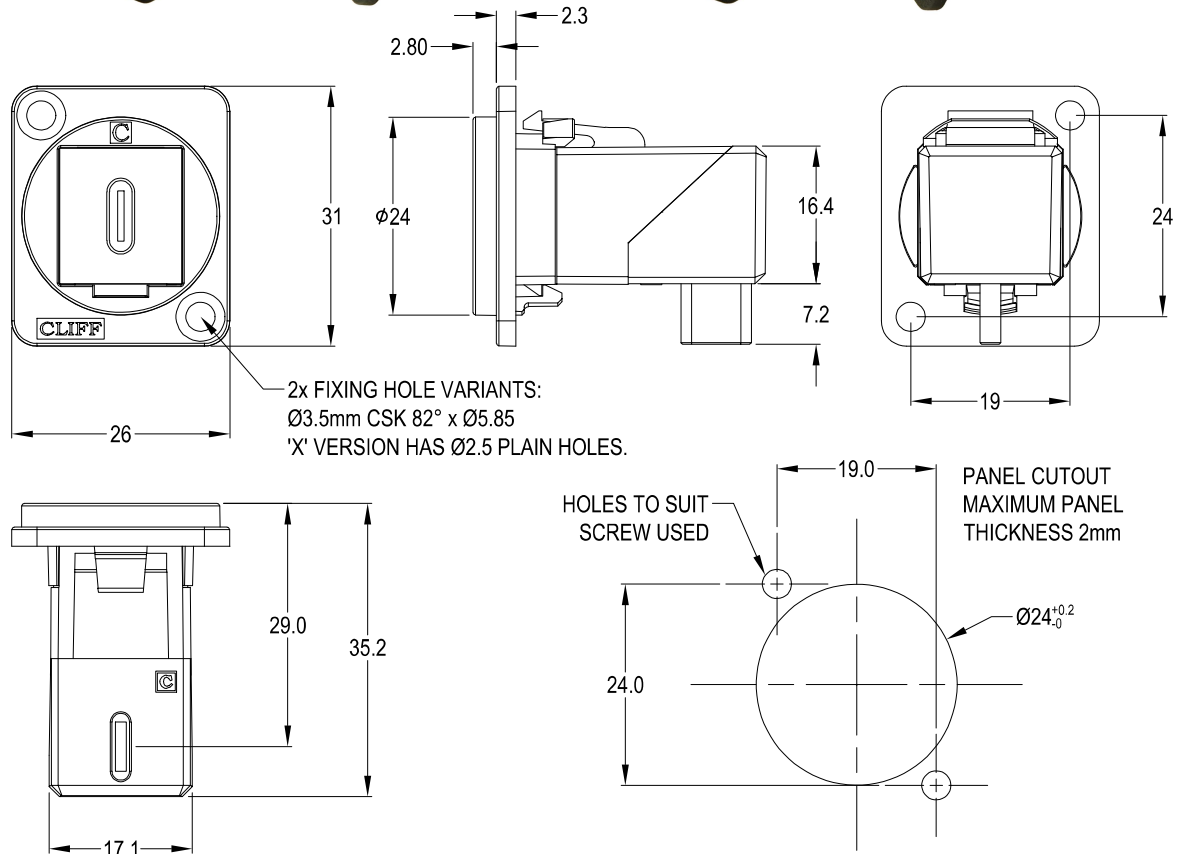


CLIFF

USB-C F-M RIGHT ANGLE FEEDTHROUGH CONNECTOR (RAFT)



2x FIXING HOLE VARIANTS:
Ø3.5mm CSK 82° x Ø5.85
'X' VERSION HAS Ø2.5 PLAIN HOLES.

PANEL CUTOUT
MAXIMUM PANEL
THICKNESS 2mm

HOLES TO SUIT
SCREW USED

Receptacle to Plug connection:
A1 to A1, A2 to A2, A3 to A3 etc..
B1 to B1, B2 to B2, B3 to B3 etc..

VARIANTS

Part No.

CP30256 RAFT USB-C F-M Black plastic frame, CSK holes

CP30256X RAFT USB-C F-M Black plastic frame, 2.5mm PLAIN

Feedthrough Features

- Fits standard XLR Ø24mm cutout.
- No soldering or punch termination. Use standard cable for each connector style.
- Front or rear mounted.
- Low rear profile
- 90° or right angle rear cable entry.

General:

Please note: Functionality is affected by cable quality, length and cable wiring configuration.

Materials:

Frame: PA66, UL94 V-2

RAFT Insert: ABS, UL94 HB

USBC Insulator: LCP, UL94 V-0

USB-C (3.1) Specification:

Maximum Rated Current - 3A

Maximum Working Voltage - 30V

Dielectric Withstanding Voltage - 100VAC (min) 1 minute

Contact Resistance - 40mΩ maximum

Insulation Resistance - 100 MΩ minimum @100V DC

Insertion Life - 10,000 Cycles

Power Delivery (PD) Compatible - Yes