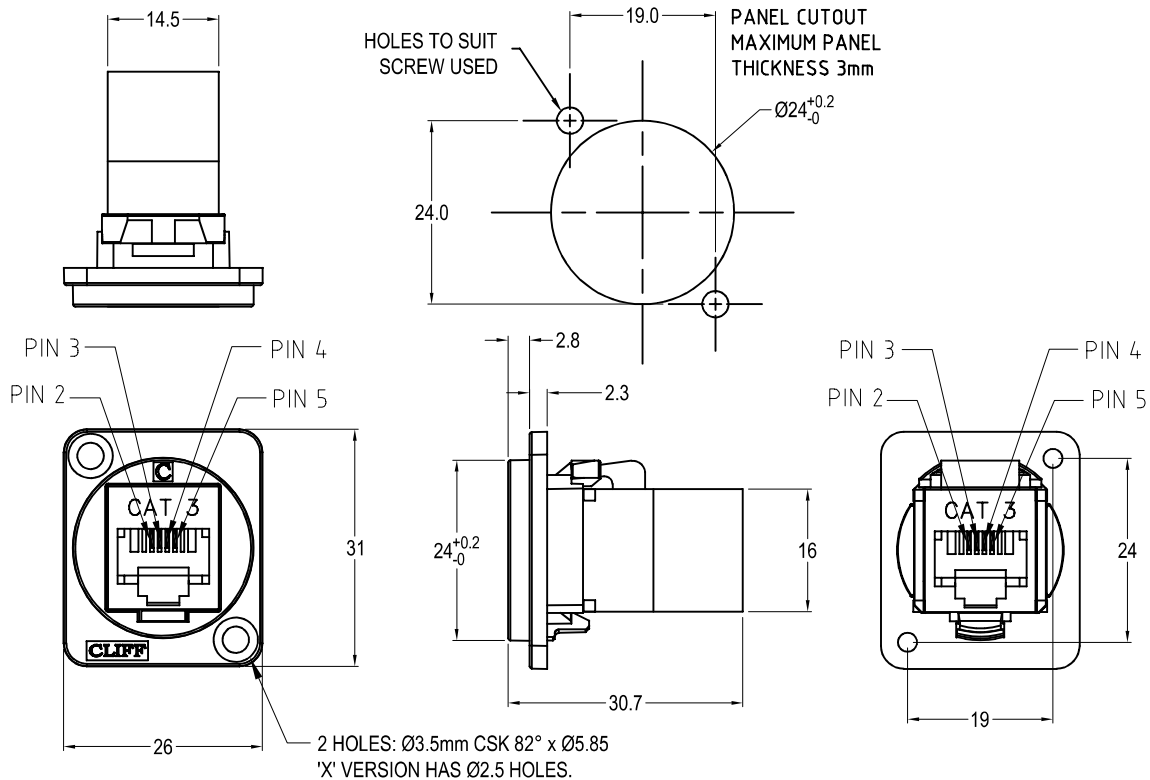


CLIFF

CAT3 RJ11 6P4C FEEDTHROUGH CONNECTOR



Feedthrough Features

- Fits standard XLR $\text{Ø}24\text{mm}$ cutout.
- No soldering or punch termination. Use standard cable for each connector style.
- Front or rear mounted.
- Low rear profile

General:

Please note: Functionality is affected by cable quality, length and cable wiring configuration.

Other models available:

Part No.

CP30223	Cat3 RJ11 6P4C Black plastic frame, CSK holes
CP30223X	Cat3 RJ11 6P4C Black plastic frame, PLAIN holes

Material:

1. RJ11 In-Line Coupler:
PC/ABS, UL 94V-0, Black colour
2. RJ11 In-Line Coupler Contact:
Phosphor Bronze, 3-50 micro inches gold plating over nickel plate.
3. PCB: FR4, UL 94V-0
4. Plastic Frame: Polyamide UL94 V-2

Performance:

1. Operating temperature: Min -10°C Max $+60^\circ\text{C}$