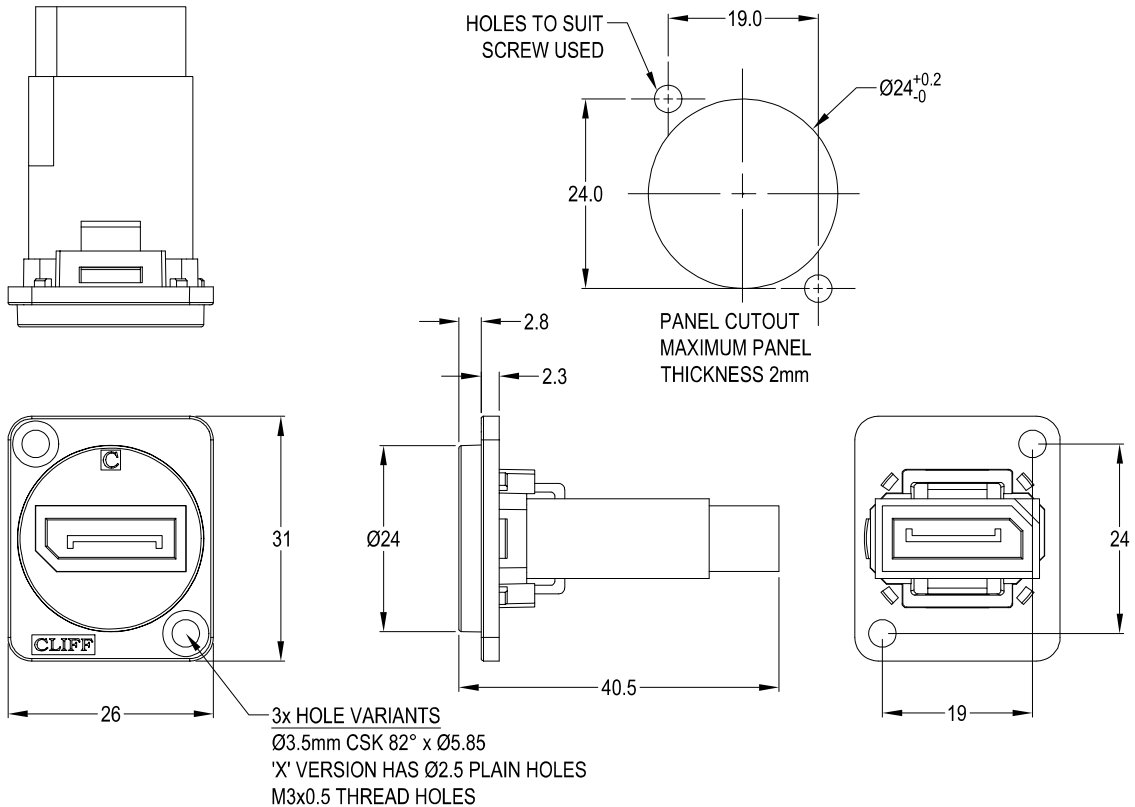


CLIFF

DISPLAYPORT F-F FEEDTHROUGH CONNECTOR



Feedthrough Features

- Fits standard XLR $\varnothing 24\text{mm}$ cutout.
- No soldering or punch termination. Use standard cable for each connector style.
- Front or rear mounted.
- Low rear profile

General:

Please note: Functionality is affected by cable quality, length and cable wiring configuration.

Other models available:

Part No.

CP30233	Displayport F-F Black plastic frame, CSK holes
CP30233M	Displayport F-F Nickel plated metal frame, CSK holes
CP30233M3	Displayport F-F Nickel plated metal frame, M3 holes
CP30233MB	Displayport F-F Black metal frame, CSK holes
CP30233M3B	Displayport F-F Black metal frame, M3 holes
CP30233X	Displayport F-F Black plastic frame, PLAIN holes

DisplayPort V2.0

Materials:

1. DP Overmould Centre: ABS UL94 V-0 Black
2. DP Overmould Ends: PBT UL94 V-0 Black
3. DP Connector: LCP UL94 V-0 Black
4. DP Shell: Iron Nickel plated
5. DP Contacts: Copper Gold plated
6. FT Plastic frame: ABS UL94 V-0 Black
7. FT Metal frame: Zinc Diecast, Nickel or black plated