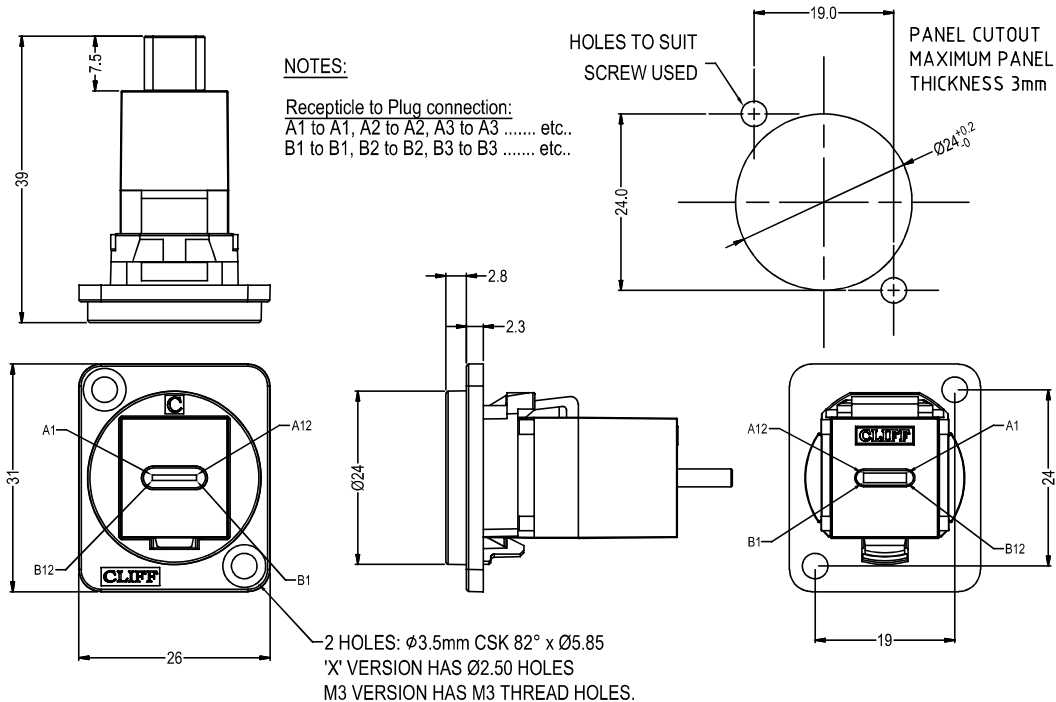




USB-C Female-Male FEEDTHROUGH CONNECTOR



Feedthrough Features

- Fits standard XLR Ø24mm cutout.
- No soldering or punch termination. Use standard cable for each connector style.
- Front or rear mounted.
- Low rear profile

General:

Please note: Functionality is affected by cable quality, length and cable wiring configuration.

Material:

1. Insert: ABS - UL94 HB
2. Plastic Frame: Polyamide UL94 V-2
3. Metal Frame: Diecast, Black or Nickel plated

VARIANTS

Part No.

CP30211	USB-C F-M Black plastic frame, CSK holes
CP30211W	USB-C F-M White plastic frame, CSK holes
CP30211M	USB-C F-M Nickel plated metal frame, CSK holes
CP30211M3	USB-C F-M Nickel plated metal frame, M3 holes
CP30211MB	USB-C F-M Black metal frame, CSK holes
CP30211M3B	USB-C F-M Black metal frame, M3 holes
CP30211X	USB-C F-M Black plastic frame, PLAIN holes
CP30211XW	USB-C F-M White plastic frame, PLAIN holes

USB-C Specification:

Maximum Rated Current - 3A
 Maximum Working Voltage - 30V
 Withstanding Voltage - 100V for 1 minute.
 Contact Resistance - 40 Milli-ohms Max.
 Insulation Resistance - 100 Mega-ohms Min.
 Insulator Flammability Rating - UL-94V0
 Insertion Life - 10,000 Cycles.