

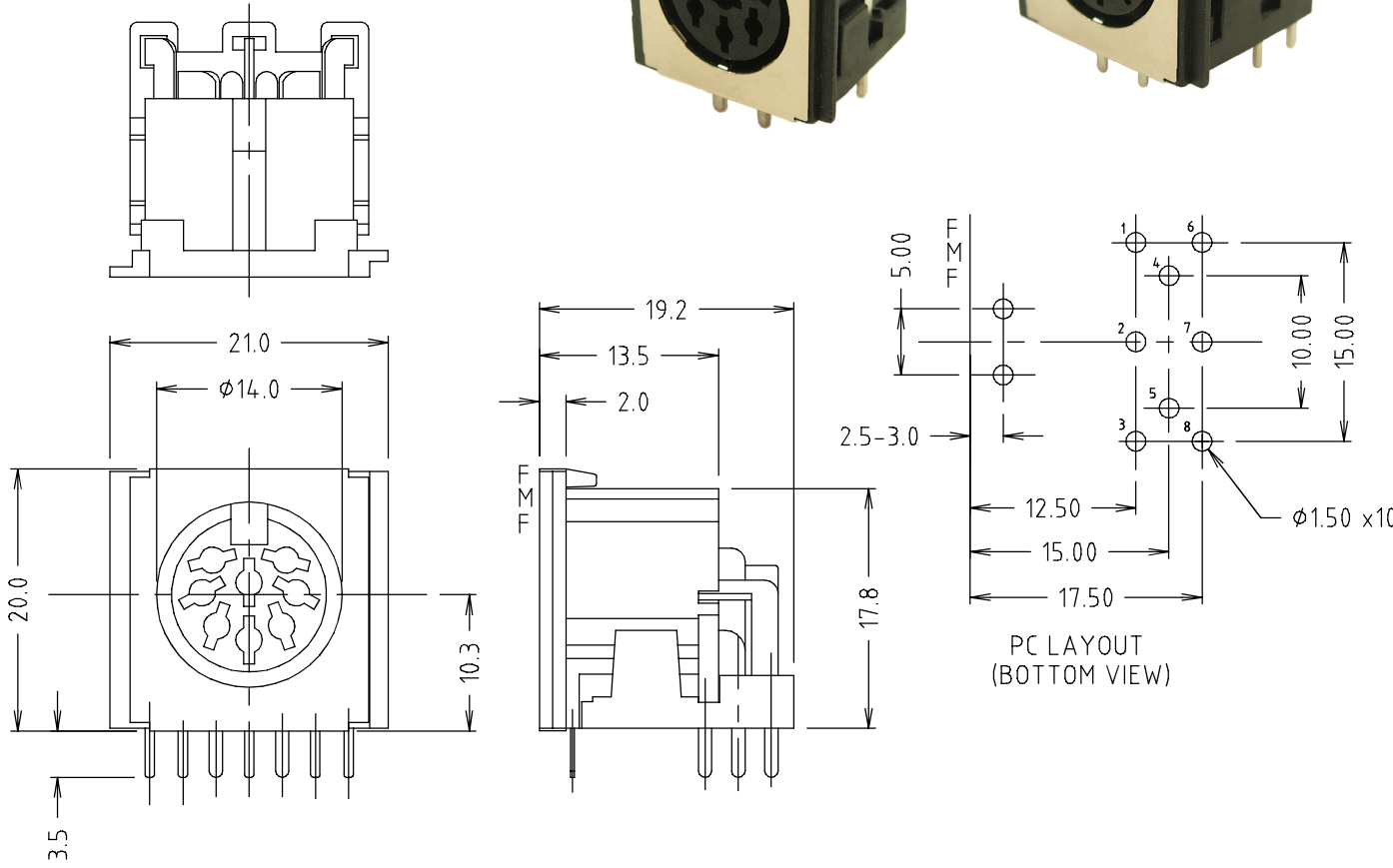
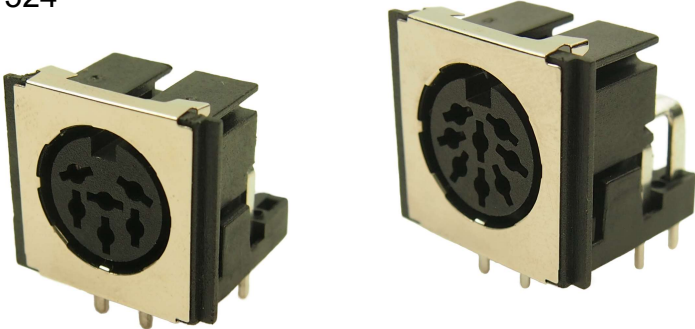


# SCREENED DIN CONNECTORS

This economically priced range of screened DIN connectors is available in 5, 6, 7 and 8 pin versions. They are intended for use in many types of consumer and professional audio equipment.

**FEATURES**

- Standard size DIN connectors, to DIN 41524
- Built in EMI/RFI screen
- Robust construction
- Right angle PCB mounting
- Suitable for wave soldering.



ARRANGEMENT OF CONTACTS				
MODEL No.	DIN-5SA	DIN-6SA	DIN-7SA	DIN-8SA
PART No.	FM6725	FM6726	FM6727	FM6728

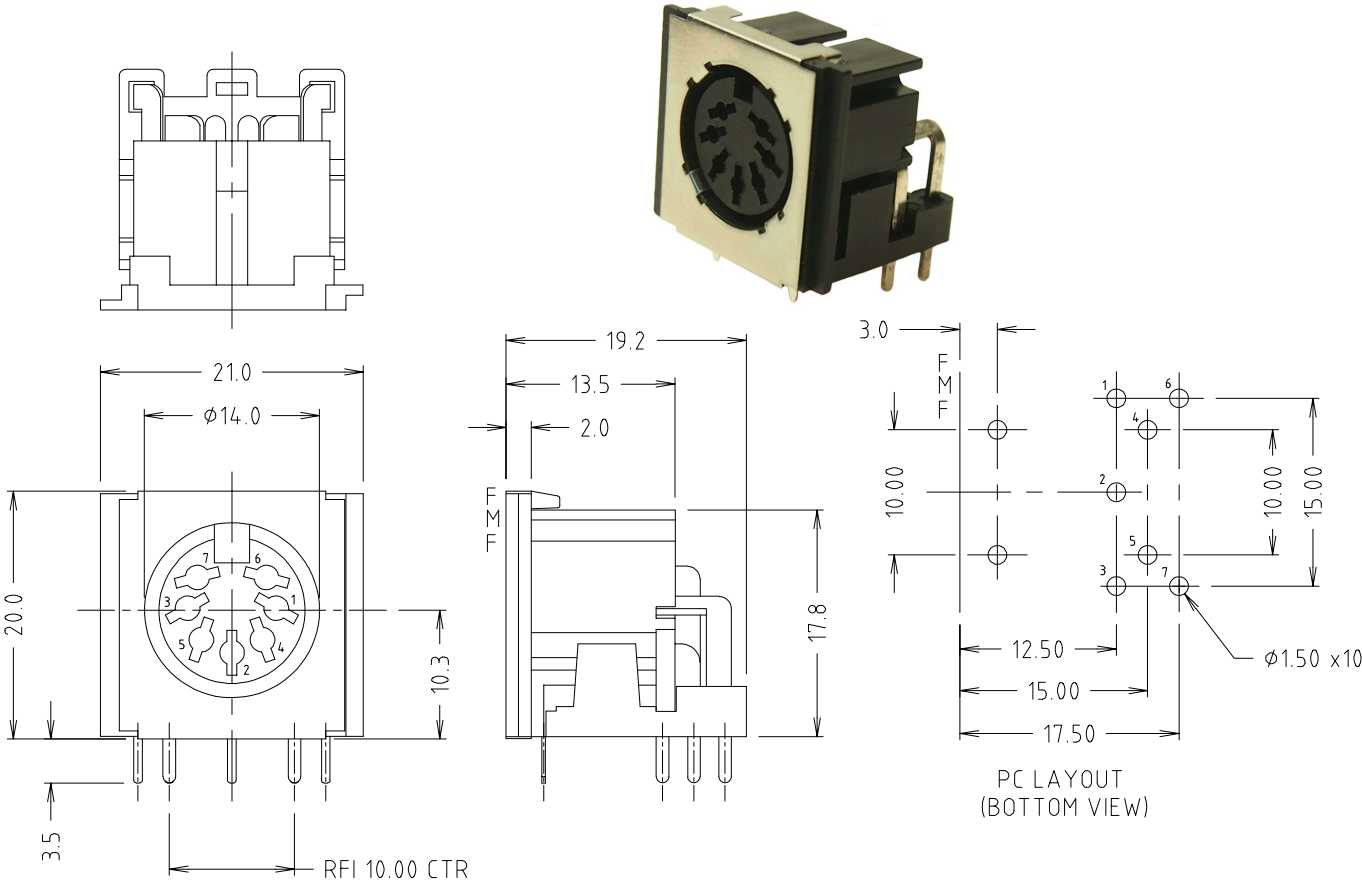
**SPECIFICATION**

- Rated Current: 4A
- Rated Voltage: For low voltage use to 34VAC max.
- Contact Resistance (New): <5mΩ (mated)
- Contact Resistance (After 1000 insertions): 15mΩ max.
- Insertion Life (Minimum): >1000 insertions
- Insertion Force: <10N
- Operating Temperature: -20°C to +70°C



# SCREENED DIN CONNECTORS

**FM6727X** - 7 pin DIN connector with RFI screen. Screen has 10mm centre dimension. See drawing below.



### ALL VARIANTS

- FM6725** - DIN SOCKET D5SA 5 PIN 180° WITH SCREEN
- FM6726** - DIN SOCKET D6SA 6 PIN 240° WITH SCREEN
- FM6727** - DIN SOCKET D7SA 7 PIN 240° WITH SCREEN
- FM6727X** - DIN SOCKET D7SA 7 PIN 240° WITH SCREEN 10mm CENTERS
- FM6728** - DIN SOCKET D8SA 8 PIN 240° WITH SCREEN

