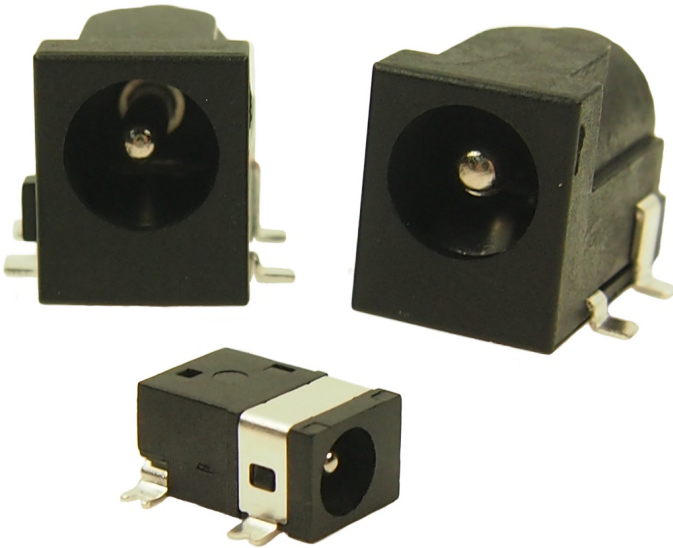


# CLIFF

## SMD DC SOCKETS



Designed for surface mounting assembly. Available as discrete or taped / reeled parts. Characteristics are similar to our versions with through hole legs. Supplied loose (STD) or taped in 1000 / Reel (to order).

### Specification (All models)

Insertion / Withdrawal force: 0.3 - 2.0 kgf

Contact Resistance:

(4 terminal method 1KHz @ <100mA)

Initial - Plug / Contact <50mΩ

Contact / Shunt <30mΩ

After life test - Plug / Contact <100mΩ

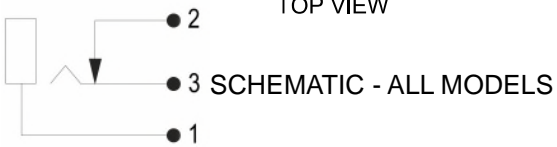
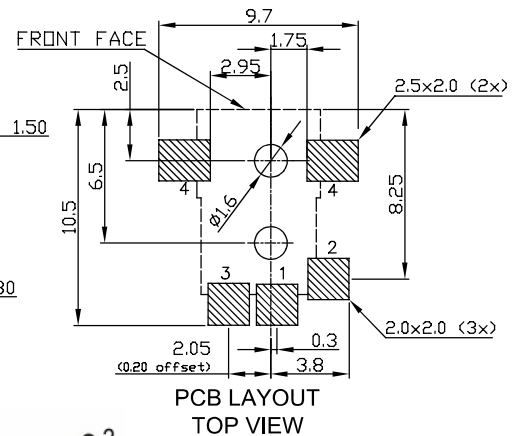
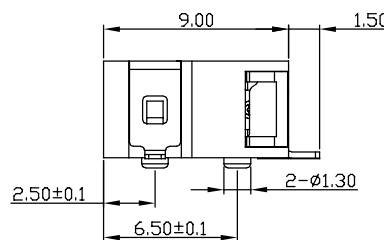
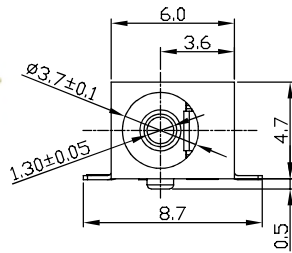
Contact / Shunt <60mΩ

Electrical Rating: DC10 - 2A / 12V

DC8 - 1A / 12V

### DC-8S 1.3mm Pin

Part No. FC68145S  
Taped FC68145ST



### DC-10AS 2.1mm Pin DC-10BS 2.5mm Pin

Part No. FC68148S

Part No. FC68149S

Add Suffix 'T' for taped.

