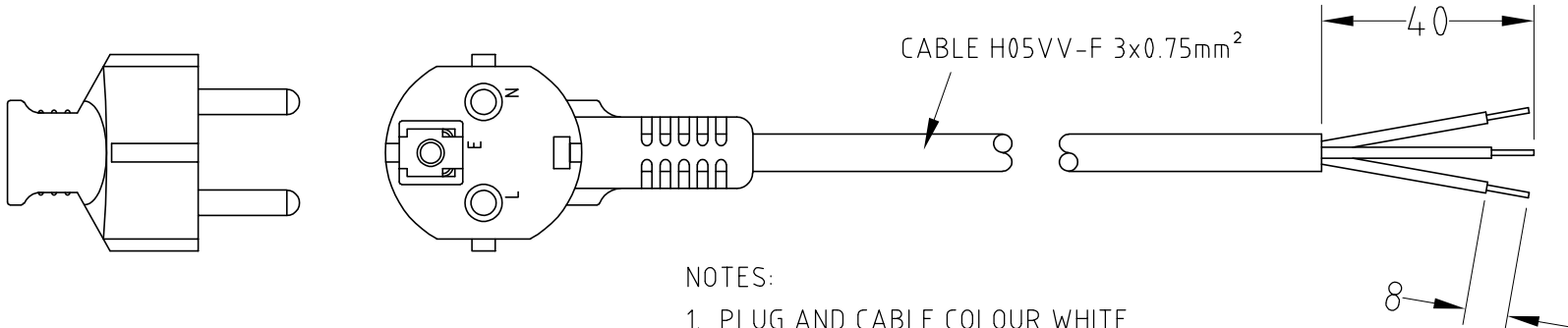
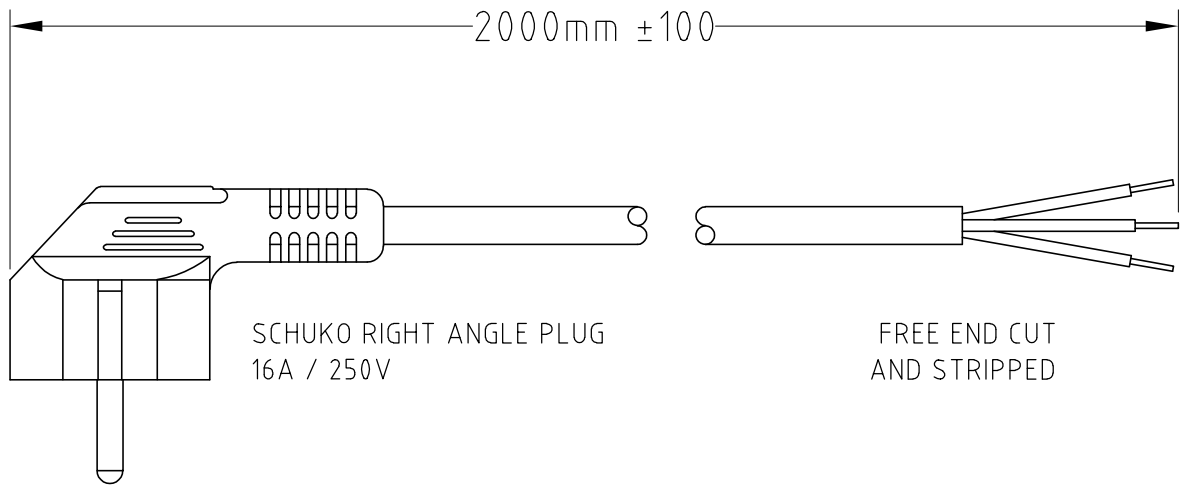


ISS.	AMEND	DATE
1	ISSUED	31/01/20



- NOTES:
1. PLUG AND CABLE COLOUR WHITE
  2. RATED: 10A 250VAC
  3. SUPPLIED INDIVIDUALLY HANKED.

<b>RoHS</b> 
<b>TOLERANCE</b> NO DEC. PLACE ± 1 DEC. PLACE ± 2 DEC. PLACE ± HOLE Ø ± ANGLES ± UNLESS OTHERWISE STATED

<b>Cliff Electronic Components Ltd.</b> 76 Holmethorpe Avenue, Holmethorpe Industrial Estate, Redhill, Surrey, RH1 2PF, England, UK Tel: 01737-771375 Fax: 01737-766012 Website: www.cliffuk.co.uk	DIMENSIONS IN MILLIMETERS UNLESS OTHERWISE STATED. WORK TO DIMENSIONS. REMOVE ALL BURRS. IF IN DOUBT ASK.		3rd ANGLE PROJECTION:	DO NOT SCALE
	MATERIAL: COMPOSITE FINISH: CLEAN - WHITE DRAWN: T.J.O.	TITLE: RA SCHUKO TO FREE END 2m WHITE		DRWG. No. <b>FCR72044</b>