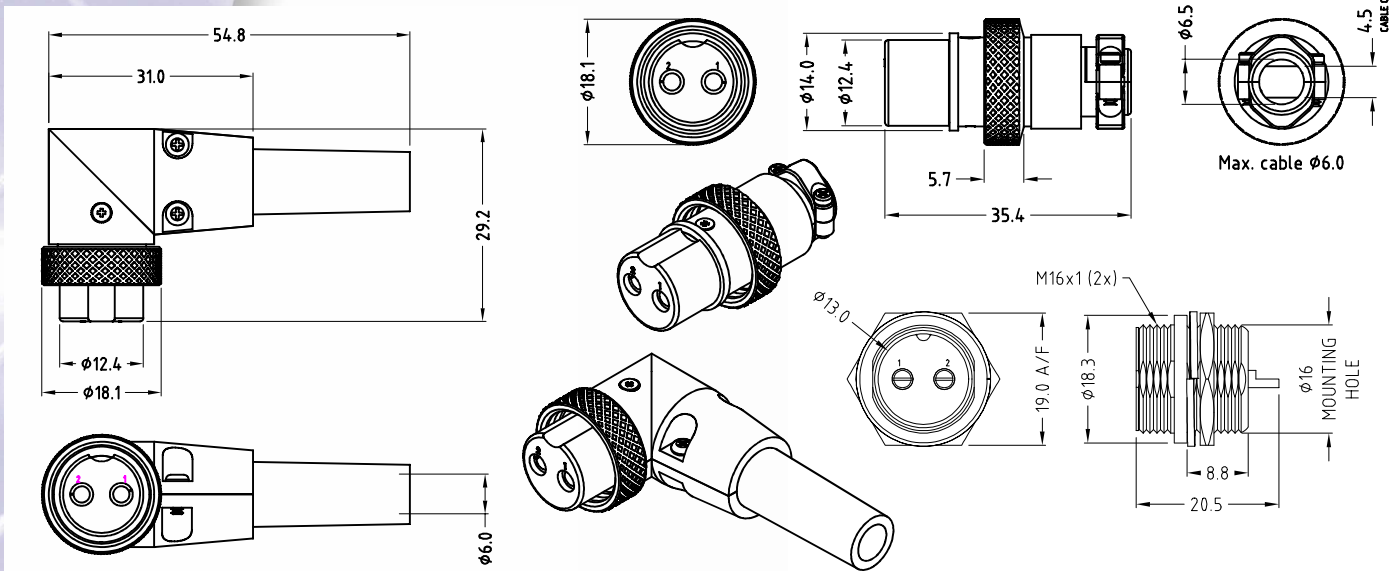


CLIFF

CLIFFCON MINIATURE ZC SERIES Locking multipole shielded connectors



ZC Series are available in a range of 2 pole to 8 pole plugs and sockets. Primarily they are intended for low voltage and signal applications. Contacts are tin plated, and other metal parts are brass or zinc alloy, nickel plated. There are also 90° versions of the plug.



Socket Part Numbers:

2 Pole.....	FC684202
3 Pole.....	FC684203
4 Pole.....	FC684204
5 Pole.....	FC684205
6 Pole.....	FC684206
7 Pole.....	FC684207
8 Pole.....	FC684208

Plug Part Numbers:

2 Pole.....	FC684212
3 Pole.....	FC684213
4 Pole.....	FC684214
5 Pole.....	FC684215
6 Pole.....	FC684216
7 Pole.....	FC684217
8 Pole.....	FC684218

90° Plug Part Numbers:

2 Pole.....	FC684222R
3 Pole.....	FC684223R
4 Pole.....	FC684224R
5 Pole.....	FC684225R
6 Pole.....	FC684226R
7 Pole.....	FC684227R
8 Pole.....	FC684228R

Specification: Rated 1A / Pin - 48V max.

Cliff Electronic Components, Ltd.

76 Holmethorpe Avenue, Holmethorpe Ind. Est.

Redhill, Surrey RH1 2PF. England

Tel: +44 (0) 1737 771375

Fax: +44 (0) 1737 766012

Email: sales@cliffuk.co.uk



Visit us online at:

www.cliffuk.co.uk



Part Numbers

CIH684214 - ZC CLIFFCON 4 PIN 1.5m CABLE

CIH684216 - ZC CLIFFCON 6 PIN 1.5m CABLE

CIH684218 - ZC CLIFFCON 8 PIN 1.5m CABLE

Rating: All plugs rated 1A / PIN - 48V max

Cable Specification:

4 way Ø6.7 4x0.50mm² FR-PVC unscreened

6 way Ø4.8 6x0.22mm² FR-PVC unscreened

8 way Ø5.8 9x0.22mm² FR-PVC unscreened

Temperature Range: -20°C to +70°C